

# BUMPERS

## 10

**Stem Bumpers**



**Pg. 2**

**Adhesive Bumpers**



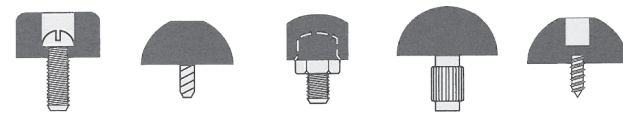
**Pg. 4**

**Grommet Bumpers**



**Pg. 5**

**Screw Bumpers**



**Pg. 9**

**Tack Bumpers**



**Pg. 12**

**Recess Bumpers**



**Pg. 13**

**Bumper Strips**



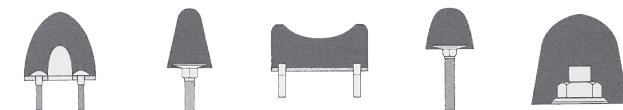
**Pg. 21**

**Trailer &  
Dock Bumpers**



**Pg. 22**

**Bumper Mounts**



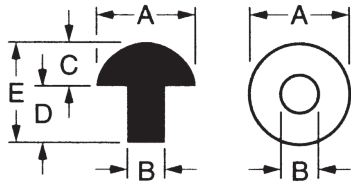
**Pg. 26**

**Misc. Bumpers**



**Pg. 28**

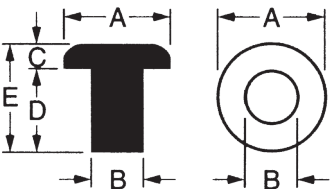
ILLUSTRATIONS BELOW NOT TO SCALE



RUBBER

### Rubber Stem Bumpers - By "A" Dimension

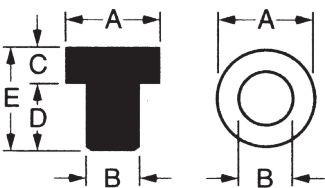
Part #	A Head Diameter	B Stem Diameter	C Head Height	D Stem Length	E Overall Thickness
10-101	5/16	3/16	1/8	3/16	5/16
10-102	5/16	3/16	3/16	3/16	3/8
10-103	11/32	3/16	5/32	3/16	11/32
10-104	3/8	3/16	1/8	3/16	5/16
10-105	1/2	3/16	1/4	3/16	7/16
10-106	5/8	5/16	5/16	1/4	9/16
10-107	3/4	3/8	3/8	3/8	3/4
10-108	7/8	1/2	3/8	15/32	27/32
10-109	15/16	19/32	19/32	15/32	1 1/16



RUBBER

### Rubber Stem Bumpers - By "A" Dimension

Part #	A Head Diameter	B Stem Diameter	C Head Height	D Stem Length	E Overall Thickness
10-110	3/8	7/32	3/16	1/4	7/16
10-111	7/16	1/4	3/16	1/4	7/16
10-112	1/2	1/4	7/32	1/4	15/32
10-113	1/2	17/64	7/64	17/64	3/8
10-114	29/64	19/64	5/32	5/16	15/32
10-115	15/32	3/8	1/16	3/8	7/16
10-116	5/8	7/16	7/32	1/2	23/32
10-117	41/64	29/64	7/64	25/64	1/2
10-118	13/16	5/8	3/8	1/2	7/8
10-119	1 1/4	3/4	1/4	11/16	15/16
10-120	23/32	5/16	7/16	1/4	11/16



VINYL

### Vinyl Stem Bumpers - By "A" Dimension

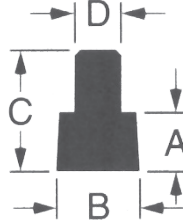
Part #	A Head Diameter	B Stem Diameter	C Head Height	D Stem Length	E Overall Thickness
10-130	7/16	.168	3/32	9/32	3/8
10-131	7/16	1/4	3/16	5/16	1/2
10-132	7/16	5/16	5/32	9/32	7/16
10-133	7/16	5/16	5/32	5/32	5/16
10-134	7/16	5/16	5/32	5/32	5/16

The stem bumpers can be made either in polyethylene or vinyl. Normally stocked in black and white.

\*Hole thru part

ILLUSTRATIONS BELOW NOT TO SCALE

## Plastic Stem Bumpers



POLYETHYLENE

Plastic Stem Bumpers - By "A" Dimension

Part #	A	B	C	D
10-150	.06	.31	.20	.18
10-151	.08	.50	.46	.38
10-152	.18	.44	.44	.28
10-153	.19	.41	.44	.25
10-154	.19	.44	.40	.33
10-155	.19	.41	.44	.25
10-156	.38	.88	.88	.63







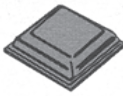
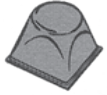

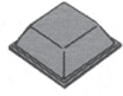
Polyethylene (available in colors)

## Rubber Stem Bumpers

<p>10-160</p>	<p>10-161</p>	<p>10-162</p>	<p>10-163</p>	<p>10-164</p>
<p>10-165</p>	<p>10-166</p>	<p>10-167</p>	<p>10-168</p>	<p>10-169</p>
<p>10-170</p>	<p>10-171</p>	<p>10-172 <b>OBSOLETE</b></p>	<p>10-173 <b>OBSOLETE</b></p>	<p>10-174</p>

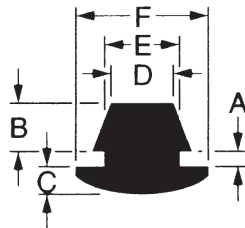
ILLUSTRATIONS BELOW NOT TO SCALE

**Bumpon™** products are made of a permanently resilient **polyurethane** polymer formulated especially for its unique high coefficient of friction, non-slip, non-marring features. An aggressive, high tack, pressure-sensitive adhesive protected with an easy release liner makes application fast and easy.

10-8000 Standard Series Adhesive Bumpers					
Part #	Width (Inches)	Height (Inches)	Description	Color	
 10-8003	0.44	0.20	Dome	Black White Grey Brown	
 10-8017	0.75	0.38	Dome	Black White Grey Brown	
 10-8027	0.63	0.32	Dome	Black White Grey Brown	
 10-8009	0.88	0.40	Circular	Black White Grey Brown	
 10-8032	1.88	0.66	Circular	Black White Grey Brown	
 10-8112	0.50	0.14	Circular	Black White Grey Brown	
 10-8008	0.50	0.12	Tapered Square	Black White Grey Brown	
 10-8014	0.81	0.52	Square Truncated Cone	Black White Grey Brown	
 10-8018	0.50	0.23	Tapered Square	Black White Grey Brown	
 10-1023	0.81	0.30	Tapered Square	Black White Grey Brown	

Shelf life: one year from date of purchase

ILLUSTRATIONS BELOW NOT TO SCALE



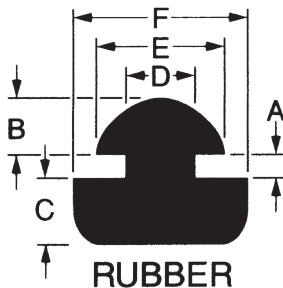
VINYL

### Vinyl Grommet Bumpers - By "A" Dimension

Part #	A Groove Width	B Head Height	C Bumper Height	D Groove Diameter	E Head Diameter	F Bumper Diameter
10-200*	1/16	1/8	3/16	3/16	7/32	1/2
10-202	3/64	3/16	25/64	5/32	15/64	3/8

These button head bumpers are easily installed. Will not drop out due to aging. Non slip properties. Normally stocked in white and black.

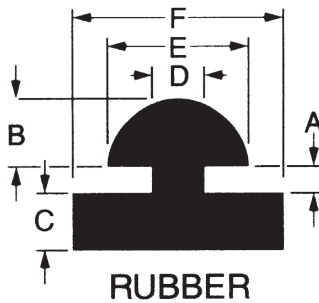
\*Concave head for slight suction effect.



RUBBER

### Rubber Bumpers - By "F" Dimension

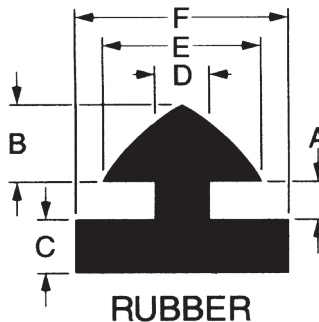
Part #	A Groove Width	B Head Height	C Bumper Height	D Groove Diameter	E Head Diameter	F Bumper Diameter
10-205	1/32	1/8	1/8	1/8	3/16	5/16
10-206	1/16	1/8	5/32	1/4	5/16	1/2
10-207	1/8	11/64	11/32	9/32	7/16	5/8



RUBBER

### Rubber Bumpers - By "F" Dimension

Part #	A Groove Width	B Head Height	C Bumper Height	D Groove Diameter	E Head Diameter	F Bumper Diameter
10-208	1/16	7/64	3/32	5/32	7/32	3/8
10-209	1/32	1/8	5/32	1/4	5/16	3/8
10-210	1/16	1/8	1/4	1/4	5/16	1/2
10-211	1/8	5/32	1/16	1/4	11/32	17/32
10-212	1/8	5/32	1/8	1/4	11/32	17/32
10-213	1/8	1/8	1/8	1/4	11/32	9/16
10-214	5/64	5/32	1/8	9/32	3/8	9/16
10-215	1/16	3/32	5/32	11/32	13/32	9/16
10-216	3/16	3/16	5/16	1/2	11/16	1

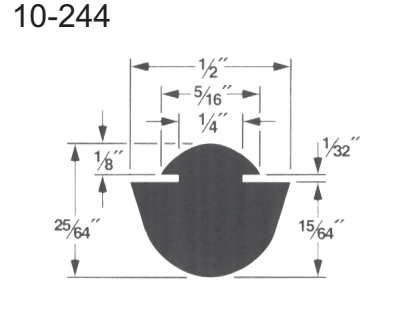
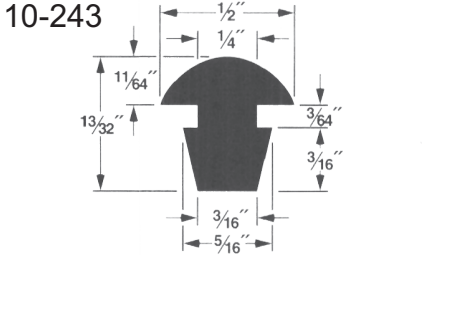
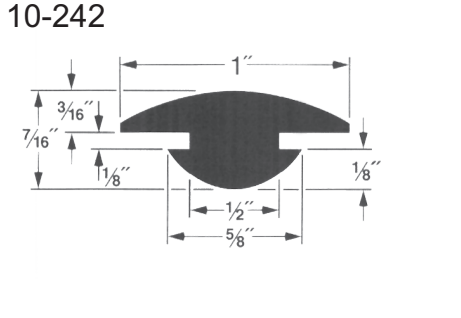
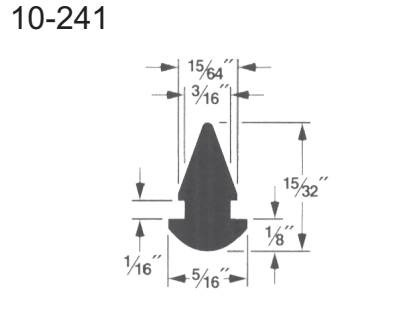
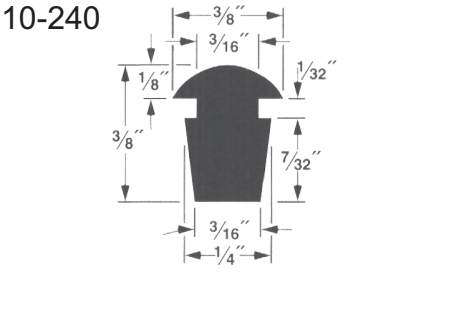
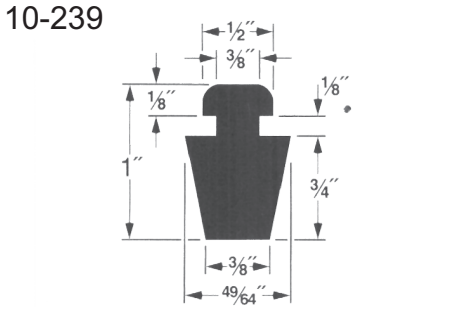
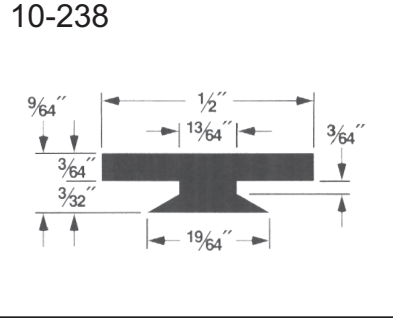
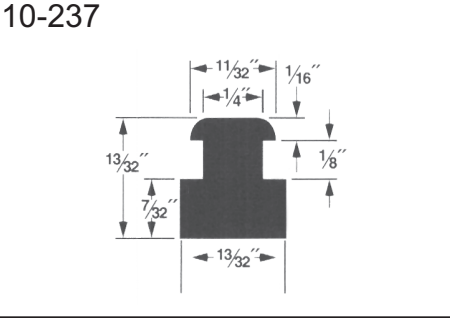
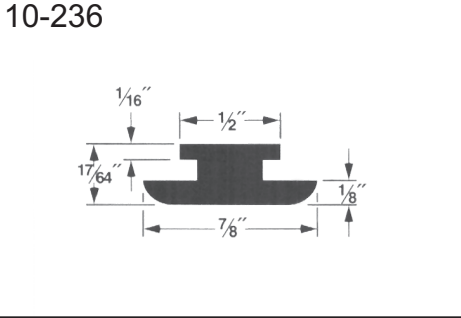
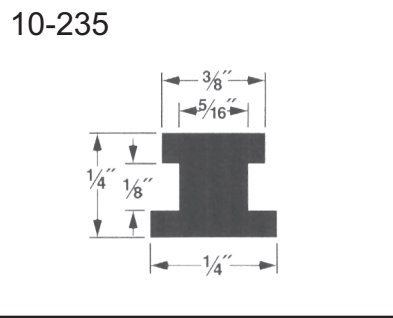
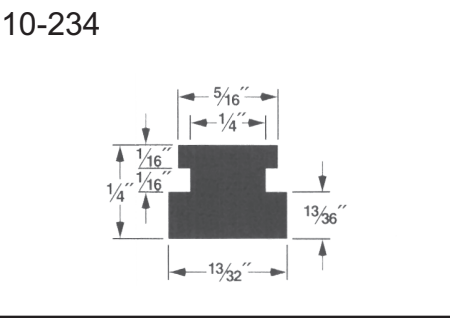
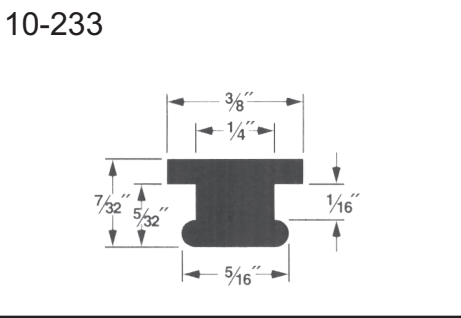
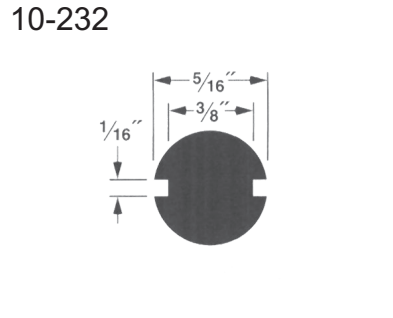
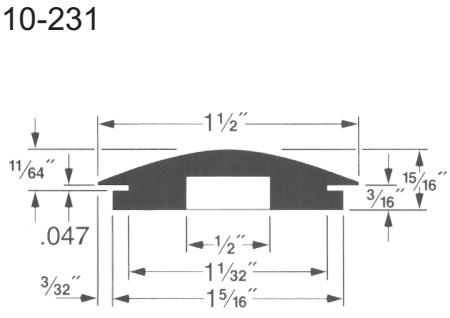
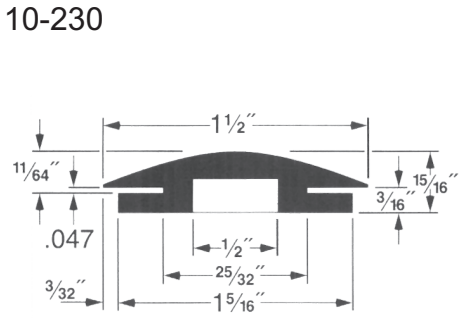


RUBBER

### Rubber Bumpers - By "F" Dimension

Part #	A Groove Width	B Head Height	C Bumper Height	D Groove Diameter	E Head Diameter	F Bumper Diameter
10-220	1/16	3/16	3/32	3/16	1/4	1/2
10-221	1/16	3/16	5/32	3/16	1/4	1/2
10-222	7/64	5/64	1/16	5/32	1/4	1/2
10-223	3/64	3/32	1/8	3/16	1/4	5/16
10-217	3/64	1/8	3/32	1/4	5/16	7/16
10-218	3/64	1/8	3/16	1/4	5/16	7/16
10-219	3/32	1/8	1/4	5/16	3/8	5/8

ILLUSTRATIONS BELOW NOT TO SCALE



ILLUSTRATIONS BELOW NOT TO SCALE

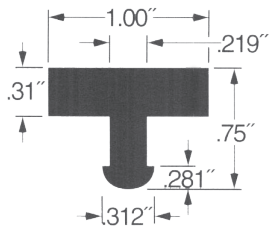
<p>10-250</p>	<p>10-5888R</p>	<p>10-1645R</p>
<p>10-251</p>	<p>10-255</p>	<p>10-254</p>
<p>10-252</p>	<p>10-253</p>	<p>10-5577R</p>

# GROMMET BUMPERS

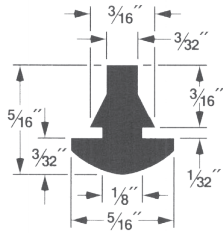


ILLUSTRATIONS BELOW NOT TO SCALE

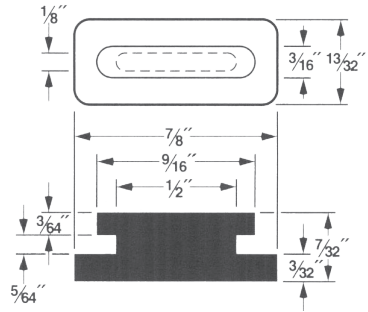
10-6215R



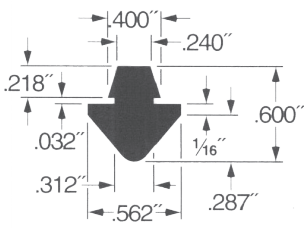
10-260



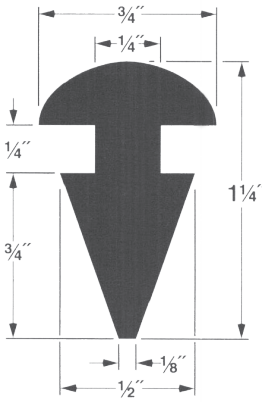
10-261



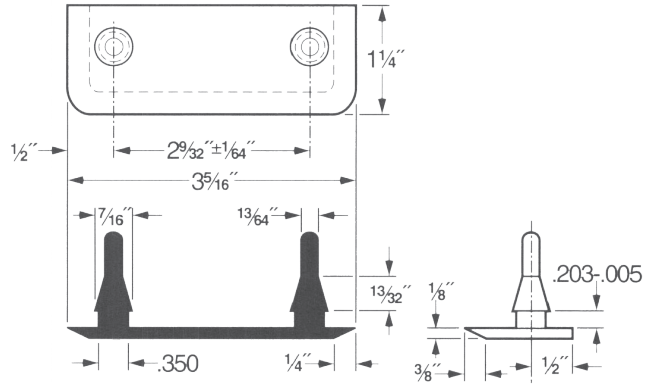
10-262



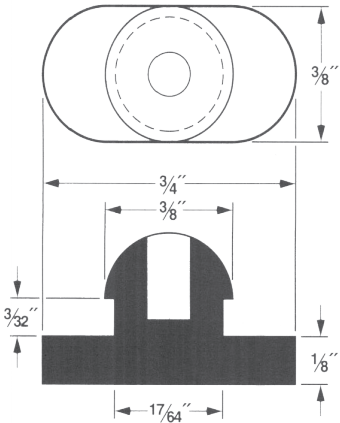
10-5586R



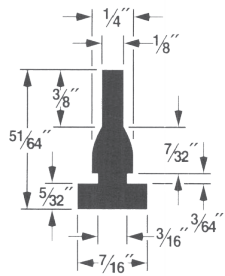
10-2783R



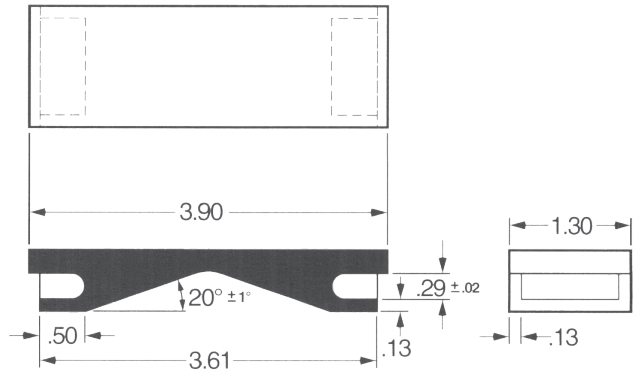
10-263



10-264

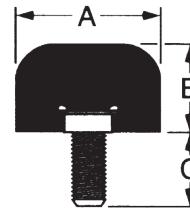
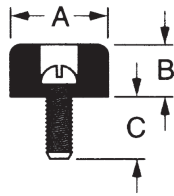


10-612R





ILLUSTRATIONS BELOW NOT TO SCALE



### Rubber Headed Screw Bumpers - By "A" Dimension

Part #	Style Number	A	B	C	Screw Type
10-270	500 MSB Black	1/2	1/4	1/4	#6-32MS
10-271	3/4 MSB Black	3/4	7/16	3/8	#8-32MS
10-272	1 MSB Black	1	1/2	3/8	#10-24MS

**Note:** See Section 20 for bumper mounts.

**Application:** Used as vibration mounts or feet on shop equipment, large appliances, and baby furniture, to name a few.

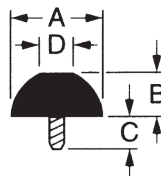


FIGURE 1



FIGURE 2

### Type "MB" Machine Screw Bumpers - By "A" Dimension

Part #	Figure	A	B	C	D	Screw Type
10-273	1	7/16	1/4	1/4	—	#6-32MS
10-274	1	1/2	1/4	1/4	3/16	#6-32MS
10-275	1	1/2	1/4	1/4	3/16	#8-32MB
10-276	1	5/8	5/16	1/4	5/16	#8-32MB
10-277	1	3/4	3/8	1/4	5/16	#8-32MB
10-278	1	7/8	7/16	1/2	7/16	#10-32MB
10-279	1	1	1/2	1/2	1/2	#10-32MB
10-280	1	1 1/8	1/2	1/2	3/8	#10-32MB
10-281	2	1	5/8	1/4	5/8	#6-32MB
10-282	2	1	5/8	1/4	5/8	#8-32MB

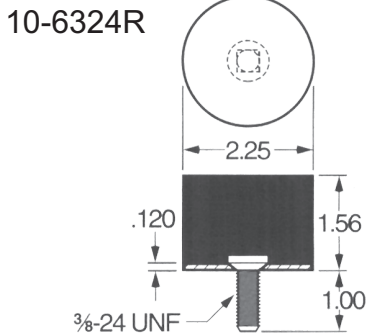
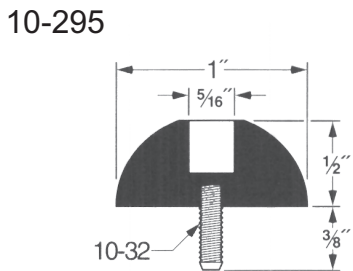
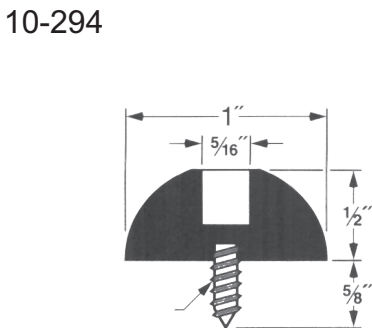
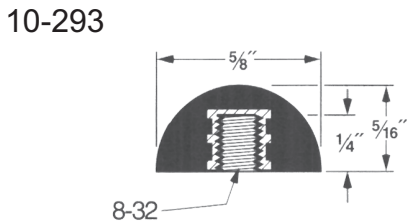
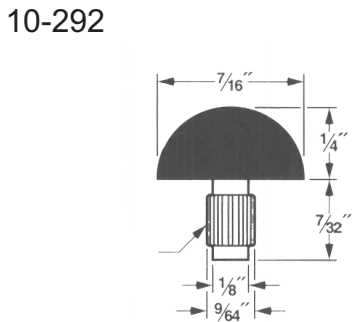
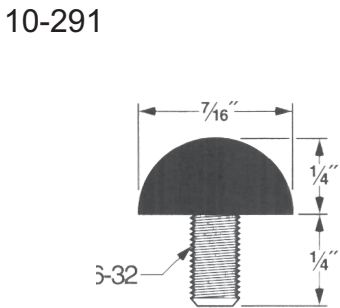
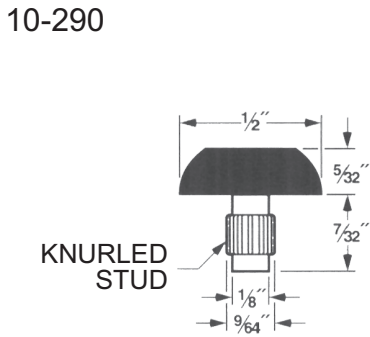
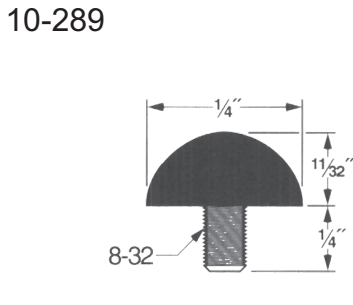
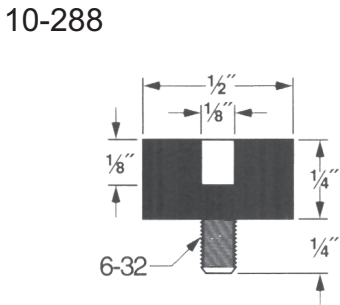
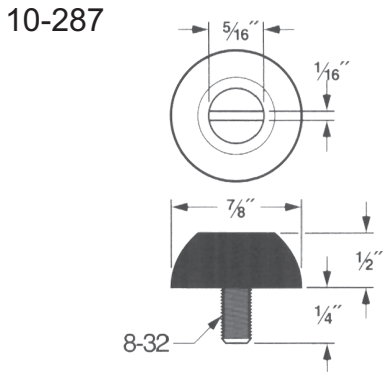
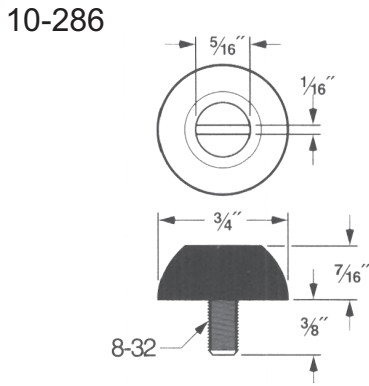
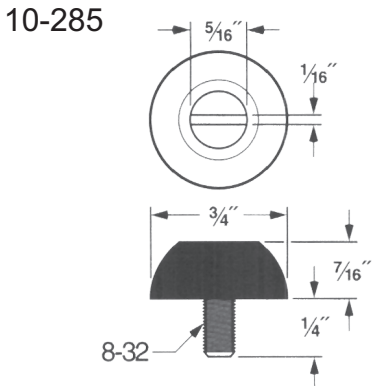
Available in non-marking materials and a variety of colors.

# SCREW BUMPERS



ILLUSTRATIONS BELOW NOT TO SCALE

See Vibration Isolators (Section 20) for male and female threaded bumpers



ILLUSTRATIONS BELOW NOT TO SCALE

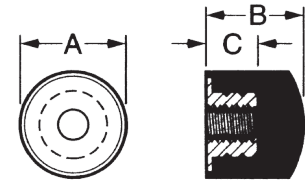
Longwood's rugged **neoprene** or **urethane** bumpers are bonded to solid steel cores and are used to guard, stop, align, position or protect parts through each step of manufacturing. Bumpers are shipped from stock and are available in many standard sizes and shapes.

### 1200 Series Bumper Mounts with Female Thread

Neoprene Part #	Urethane Part #	Dia. A	Length B	C	Female Thread
*10-1200N	*10-1200U	3/4	5/8	3/8	5/16-18 X 1/4
*10-1201N	*10-1201U	3/4	5/8	3/8	5/16-18 X 1/4
10-1202N	*10-1202U	1 1/4	1 1/4	3/4	3/8-16 X 1/2
10-1203N	10-1203U	1 1/4	1 1/4	3/4	3/8-24 X 1/2
10-1204N	10-1204U	1 1/4	1 1/4	3/4	1/2-13 X 1/2
10-1205N	10-1205U	1 1/4	1 1/4	3/4	1/2-20 X 1/2
10-1206N	10-1206U	1 1/4	1 1/4	3/4	7/16-20 X 1/2
10-1207N	10-1207U	1 1/4	1 1/4	3/4	5/8-18 X 1/2
10-1208N	10-1208U	1 3/4	1 5/8	7/8	5/8-11 X 5/8
10-1209N	10-1209U	1 3/4	1 5/8	7/8	5/8-18 X 5/8
10-1210N	10-1210U	2 1/4	2 1/4	1 1/4	3/4-10 X 1
10-1211N	10-1211U	2 1/4	2 1/4	1 1/4	3/4-16 X 1
10-1212N	10-1212U	2 1/4	2 1/4	1 1/4	1-8 X 1

Neoprene 45-45 Durometer  
Urethane 80-90 Durometer

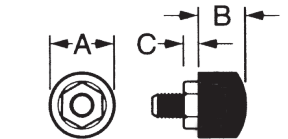
\*Neoprene 45 or 70 Durometer  
Urethane 60 or 80 Durometer



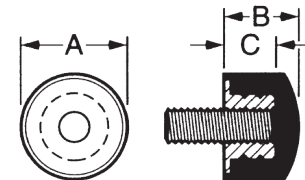
### 1200 Series Bumper Mounts with Male Thread

Neoprene Part #	Urethane Part #	Dia. A	Length B	C	Male Thread
10-1213N	10-1213U	3/4	5/8	.175	5/16-18 X 1/2
10-1214N	10-1214U	3/4	5/8	.175	5/16-18 X 1 1/4
10-1215N	10-1215U	1 1/4	1 1/4	3/4	3/8-16 X 5/8
10-1216N	10-1216U	1 1/4	1 1/4	3/4	3/8-16 X 1 1/4
10-1217N	10-1217U	1 1/4	1 1/4	3/4	5/8-18 X 1
10-1218N	10-1218U	1 1/4	1 1/4	3/4	1/2-13 X 3/4

Neoprene 45-45 Durometer  
Urethane 80-90 Durometer

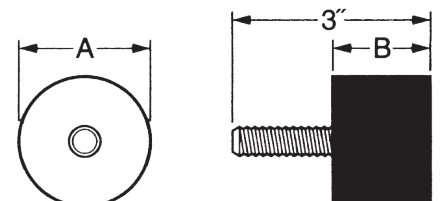


10-1213 and 10-1214 only



### Neoprene 60 Durometer Bumper

Part Number	Dia. A	Length B	Male Thread
10-1219N	2	1 5/8	3/8-16 X 5/8



**Note: Also see Section 20 for Bumper Mounts**

# TACK BUMPERS



ILLUSTRATIONS BELOW NOT TO SCALE



RUBBER

Rubber Tack Bumpers			
Part #	A	B	C
10-300	3/8	7/32	3/8+
10-301	1/2	1/4	3/8+
10-302	5/8	5/16	3/8+
10-303	3/4	3/4	3/8+
10-304	7/8	7/16	1 1/32+
10-305*	3/8	1/4	3/8
10-306*	1/2	5/16	3/8
10-307*	1/2	5/16	3/8
10-308*	5/8	3/8	3/8
10-309*	5/8	3/8	3/8
10-310*	3/4	7/16	1/2
10-311*	3/4	7/16	1/2

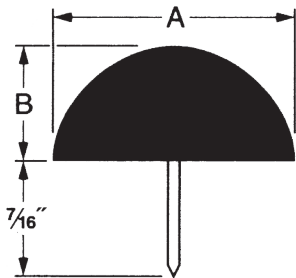
\*Colors available



RUBBER

Bar Pattern Bumper				
Part #	Style	Length	Width	Height
10-312	White	2 1/2	1/2	1/2

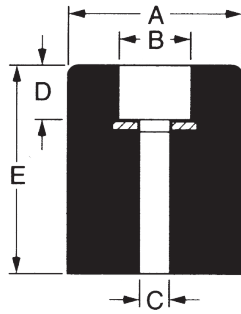
## Hard Plastic Tacks



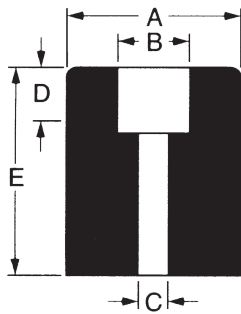
PLASTIC

Hard Plastic Tacks			
Part #		A	B
White	Black		
10-313	10-314	3/8	1/4
10-315	10-316	1/2	1/4
10-317	10-318	5/8	5/16
10-319	10-320	3/4	3/8

ILLUSTRATIONS BELOW NOT TO SCALE



With Washer  
RUBBER



Without Washer  
RUBBER

### Recess Bumpers - By "A" Outside Diameter

Part #	A Outside Diameter	B Recess Diameter	C Bore Diameter	D Recess Depth	E Total Height
10-400	1/2	15/64	1/8	3/16	1/4
10-401	1/2	17/64	1/8	5/32	1/4
10-402	1/2	1/4	3/32	5/32	1/4
10-403	1/2	1/4	1/8	7/32	7/16
10-404	1/2	5/16	5/32	3/16	3/8
10-405	19/32	9/32	5/32	3/16	11/32
10-406	5/8	9/32	5/32	1/8	9/32
10-407	5/8	9/32	5/32	1/4	13/32
10-408*	5/8 - 21/32	5/16	5/32	1/4	1/2
10-409	5/8	1/4	1/16	5/32	9/32
10-410	23/32	1/4	1/8	7/32	7/16
10-411	3/4	5/16	5/32	1/4	13/32
10-412	3/4	3/8	3/16	5/16	9/16
10-413*	3/4 - 51/64	11/32	11/64	1/4	25/32
10-414	3/4	3/8	5/32	1/4	1
10-415	3/4	5/16	1/8	1/4	3/4
10-416	3/4	3/8	1/8	5/32	3/8
10-417	3/4	3/8	3/16	1/4	9/16
10-418	13/16	15/32	1/4	7/16	13/16
10-419	1	1/2	7/32	1/4	1/2
10-420	1	17/32	9/32	5/16	9/16
10-421	1	3/8	5/32	1/4	1
10-422	1 1/32	9/16	3/16	3/8	5/8
10-423	1 1/4	1/4	1/4	3/4	17/8
10-424	1 1/4	3/8	1/4	3/4	11/4
10-425	1 1/2	15/32	1/4	1/2	3/4
10-426	1 1/2	1/2	3/16	11/32	5/8
10-427	1 1/2	3/4	5/16	11/32	5/8
10-428	1 1/2	3/4	1/4	3/8	3/4
10-429	1 1/2	3/4	1/4	3/8	1 1/2

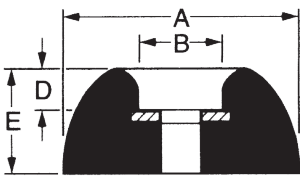
\*Slightly tapered with wide base

Longwood can custom-mold to your specifications!  
1-800-829-7231

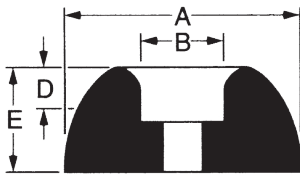
# RECESS BUMPERS



ILLUSTRATIONS BELOW NOT TO SCALE



With Washer  
Rubber



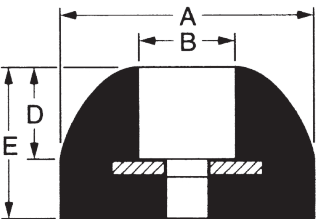
Without Washer  
Rubber

### Recess Bumpers - By "A" Dimension

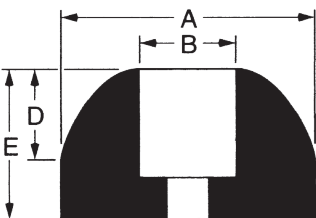
Part #	A Outside Diameter	B Recess Diameter	C Bore Diameter	D Recess Depth	E Total Height
10-450	1/2	9/32	1/8	3/32	3/16
10-451	3/4	1/4	1/8	11/64	17/64
10-452	15/16	3/8	3/16	3/16	13/32
10-453	15/16	3/8	3/16	7/32	3/8
10-454	31/32	3/8	3/16	3/16	11/32
10-455	1	3/8	5/32	1/4	1
10-456	1	3/8	3/16	3/16	7/16
10-613R*	2 1/2	1 1/8	3/8	1/2	1

**Note:** Recess bumpers can be supplied with or without washers. Add W to part number for washer.

\*Available in white or black.



With Washer  
Rubber



Without Washer  
Rubber

### Recess Bumpers - By "A" Dimension

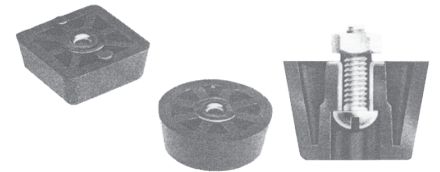
Part #	A Outside Diameter	B Recess Diameter	C Bore Diameter	D Recess Depth	E Total Height
10-469	7/16	1/4	1/8	5/32	1/4
10-457	15/16	3/8	3/16	7/32	3/8
10-458	1/2	1/4	1/8	3/16	11/32
10-459	1/2	1/4	1/8	5/32	1/4
10-460	1/2	7/32	1/8	3/32	3/16
10-461	17/32	1/4	1/8	5/32	9/32
10-462	5/8	1/4	3/32	3/16	3/8
10-463	5/8	5/16	5/32	5/32	7/16
10-464	7/8	3/8	3/16	9/32	17/32
10-465	7/8	5/16	3/16	9/32	5/8
10-466	1	1/4	1/8	7/16	13/16
10-467	1	9/32	5/32	9/32	1/2
10-468	13/32	7/36	3/16	13/32	5/8

**Note:** Recess bumpers can be supplied with or without washers. Add W to part number for washer.

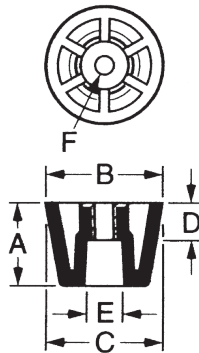
ILLUSTRATIONS BELOW NOT TO SCALE

Longwood's "Thermoplastic Rubber" cabinet feet provide high traction and absorb shocks without marking surfaces. Nickel-plated steel insert absorbs the total fastener load. Foot is mounted with machine screws or rivets to eliminate distortion. Excellent resistance to ozone, aging and most chemicals. Stock colors are black and gray, but a wide range of colors are available on special order. Standard shape available in a number of different strength capacities. Square and rectangular feet shapes now available for contemporary designs.

### Thermoplastic Rubber

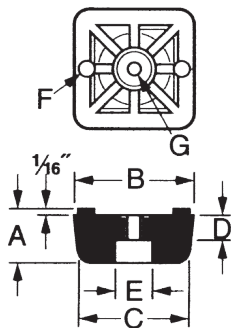


### Round Feet



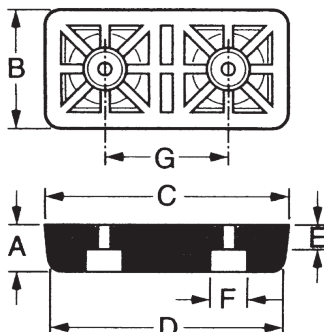
Part #	A	B	C	D	E	F Mach. Screw
10-9100	.375	.562	.437	.187	.219	# 4 Round
10-9101	.437	.750	.594	.187	.266	#6 Round
10-9102	.625	.937	.719	.297	.359	#8 Round
10-9103	.875	1.125	.923	.484	.468	#10 Truss
10-9104	1.125	1.250	1.000	.484	.468	#10 Truss
10-9105	.312	.625	.500	.187	.281	#4 Truss
10-9106	.375	.750	.625	.187	.344	#6 Truss
10-9107	.437	.875	.719	.187	.344	#6 Truss
10-9108	.531	1.062	.875	.297	.406	#8 Truss
10-9109	.625	1.250	1.032	.312	.469	#10 Truss
10-9110	.250	.687	.594	.125	.344	#6 Truss
10-9111	.312	.875	.750	.125	.406	#8 Truss
10-9112	.437	1.062	.937	.203	.469	#10 Truss
10-9113	.500	1.312	1.125	.312	.469	#10 Truss
10-9114	.562	1.625	1.437	.312	.469	#10 Truss

### Square Feet



Part #	A	B	C	D	E	F Lug Dia.	G Mach. Screw
10-9200	.344	.875	.797	.187	.344	.149	#6 Truss
10-9201	.390	1.000	.906	.187	.344	.149	#6 Truss
10-9202	.469	1.187	1.078	.297	.422	.177	#8 Truss
10-9203	.531	1.375	1.219	.312	.484	.201	#10 Truss
10-9204	.594	1.500	1.344	.312	.484	.201	#10 Truss

### Rectangular Feet



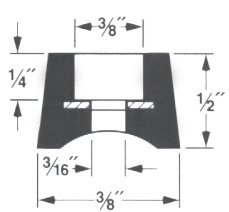
Part #	A	B	C	D	E	F	G	H Mach. Screw
10-9300	.344	.875	1.750	1.656	.187	.344	.875	#6 Truss
10-9301	.390	1.000	2.000	1.906	.187	.344	1.000	#6 Truss
10-9302	.469	1.187	2.375	2.250	.297	.421	1.187	#8 Truss
10-9303	.531	1.375	2.750	2.594	.316	.484	1.375	#10 Truss
10-9304	.594	1.500	3.000	2.844	.316	.484	1.500	#10 Truss

# RECESS BUMPERS

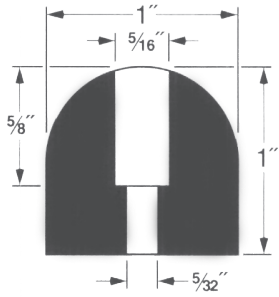


ILLUSTRATIONS BELOW NOT TO SCALE

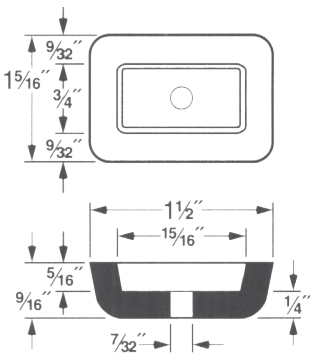
10-1000-W



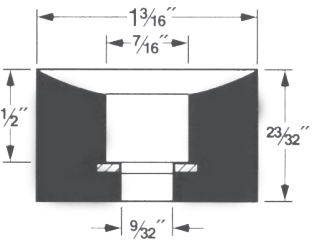
10-1001  
10-1001-W



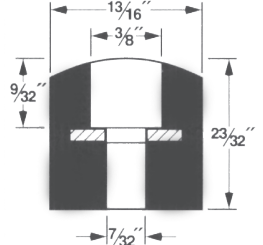
10-1002



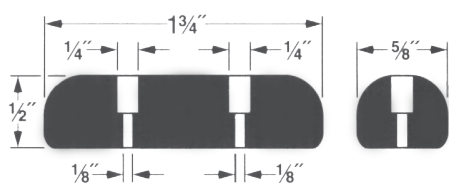
10-1003-W



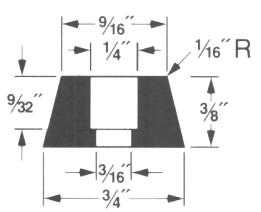
10-1004-W



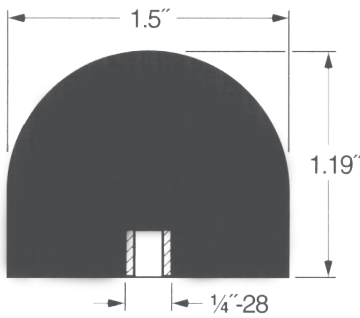
10-1005  
10-1005-W



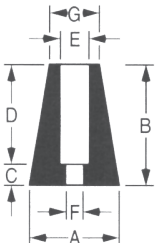
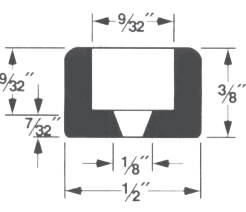
10-5754R



10-1089R



10-1006  
VINYL

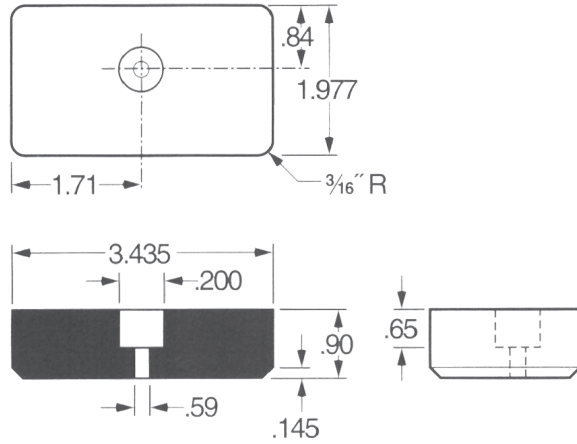


Vinyl Recessed Bumpers							
Part #	A	B	C	D	E	F	G
10-1007	1	1 1/2	3/4	3/4	7/16	1/8	3/4
10-1008	1	2	3/4	1 1/4	7/16	1/8	3/4
10-1009	1	2 5/8	3/4	1 7/8	7/16	1/8	3/4

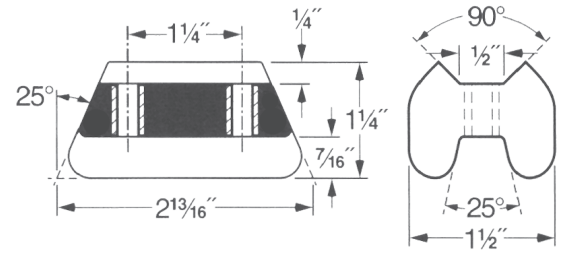


ILLUSTRATIONS BELOW NOT TO SCALE

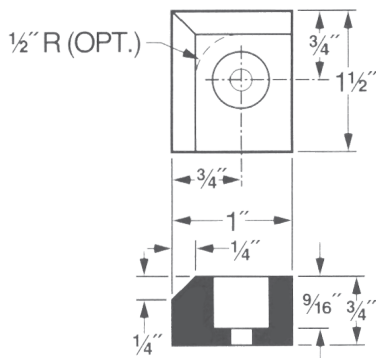
10-5070R



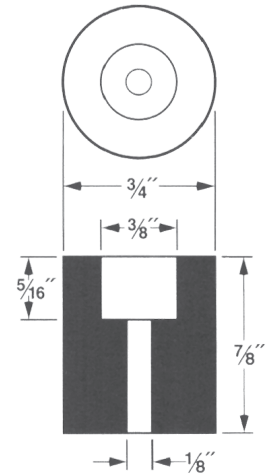
10-2093R



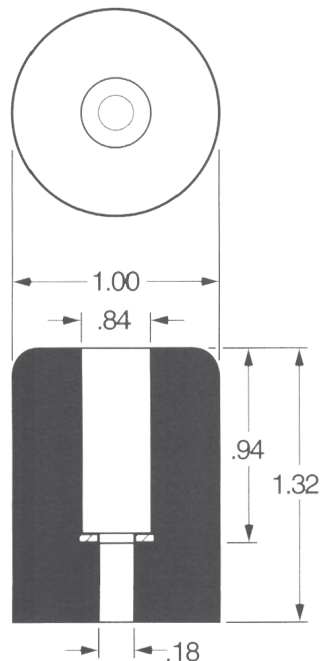
10-4416R



10-1520R

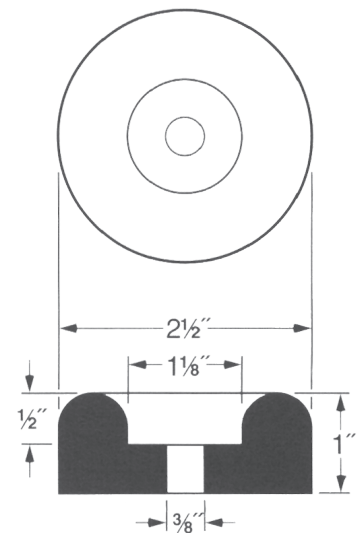


10-2762R



10-613R

Available in white, gray, black, blue, red, & yellow



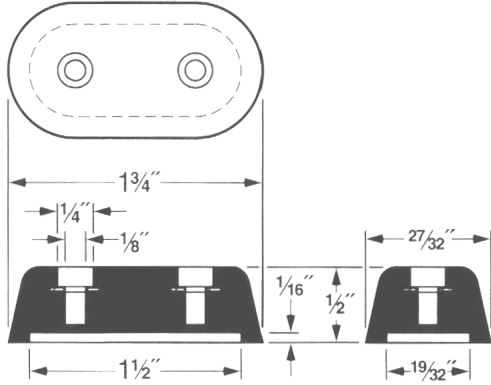
# RECESS BUMPERS



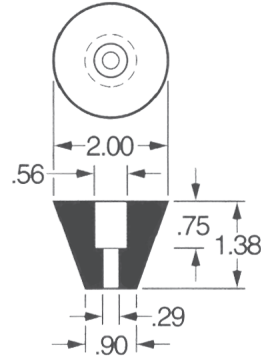
10 - MOLDED PRODUCTS

ILLUSTRATIONS BELOW NOT TO SCALE

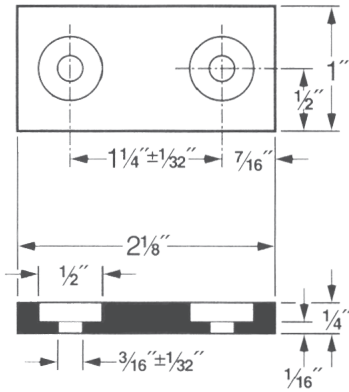
10-1010



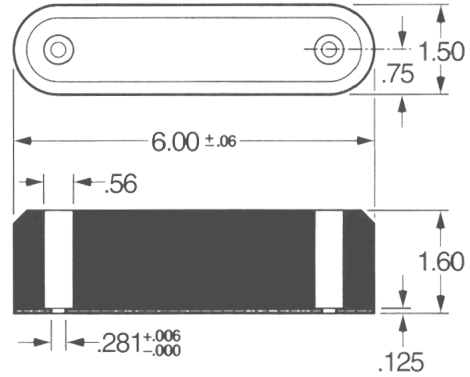
10-5282R



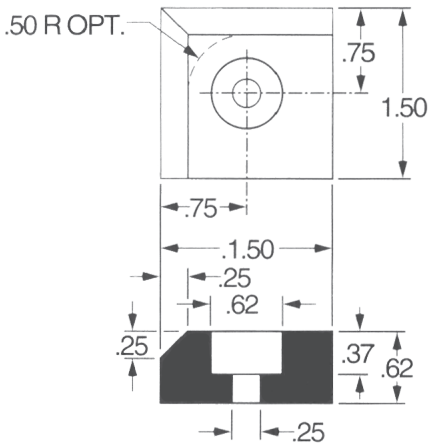
10-9890R



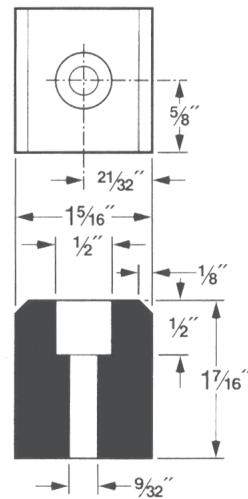
10-1667R



10-5009R



10-2030R



ILLUSTRATIONS BELOW NOT TO SCALE

<p><b>10-1011</b></p>	<p><b>10-1012</b></p>
<p><b>10-1013</b></p>	<p><b>10-2263R</b></p>
<p><b>10-5308R</b></p> <p>.03" ALLOWANCE FOR MOLDS</p> <p>1.25<math>\pm</math>.09</p> <p>.88"</p>	<p><b>10-5163R</b></p> <p>.250<math>\pm</math>.005 DIA</p> <p>.50</p> <p>1.00</p> <p>1.30<math>\pm</math>.02</p> <p>.35<math>\pm</math>.02</p> <p>2.00</p> <p>1.00</p>

Longwood can custom-mold products to your specifications!

# RECESS BUMPERS



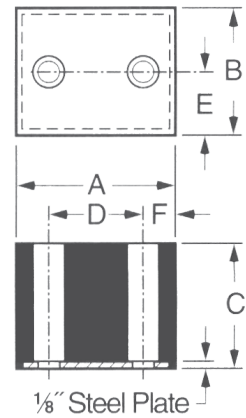
ILLUSTRATIONS BELOW NOT TO SCALE

You can order bumpers in the sizes shown below. They are 80 durometer, available bonded to 1/8" steel plate or neoprene only. Mounting holes are drilled and counterbored or tapped for mounting.

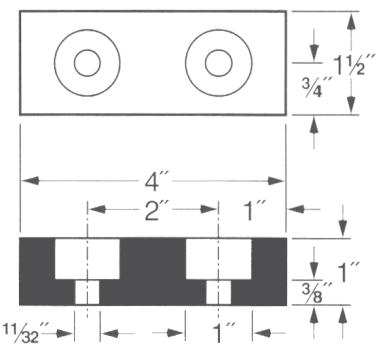
1300 Series Rectangular and Square Bumpers									
Neoprene Part #	Urethane Part #	A	B	C	D	E	F	G	# of Holes
10-1300N	10-1300U	1 3/4	1	3/4	1	1/2	3/8	1/4	2
*10-1301N	10-1301U	1 3/4	1	3/4	1	1/2	3/8	1/4	2
10-1302N	10-1302U	2 1/2	2	2	1 1/2	1	1/2	5/16	2
10-1303N	10-1303U	2 1/2	2	2	1 1/2				
10-1304N	10-1304U	2 1/2	5/8	1/2	1 1/2	5/16	1/2	1/4	2
10-1305N	10-1305U	3/4	3/4	5/8		3/8	3/8	1/4	1

Neoprene 80 Durometer  
Urethane 80 Durometer

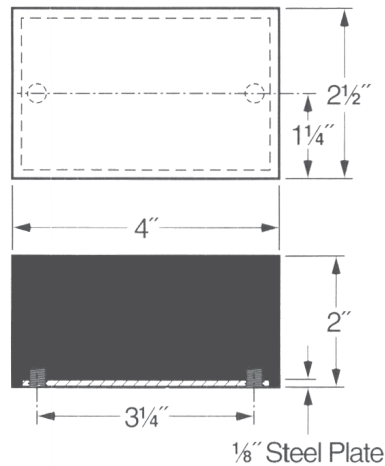
\*35 Durometer



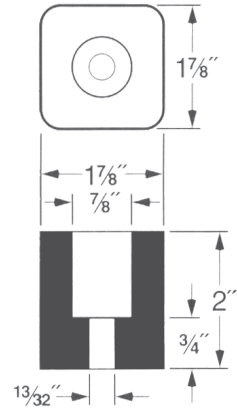
10-1306N  
60 Durometer Neoprene



10-1307N  
80 Durometer Neoprene



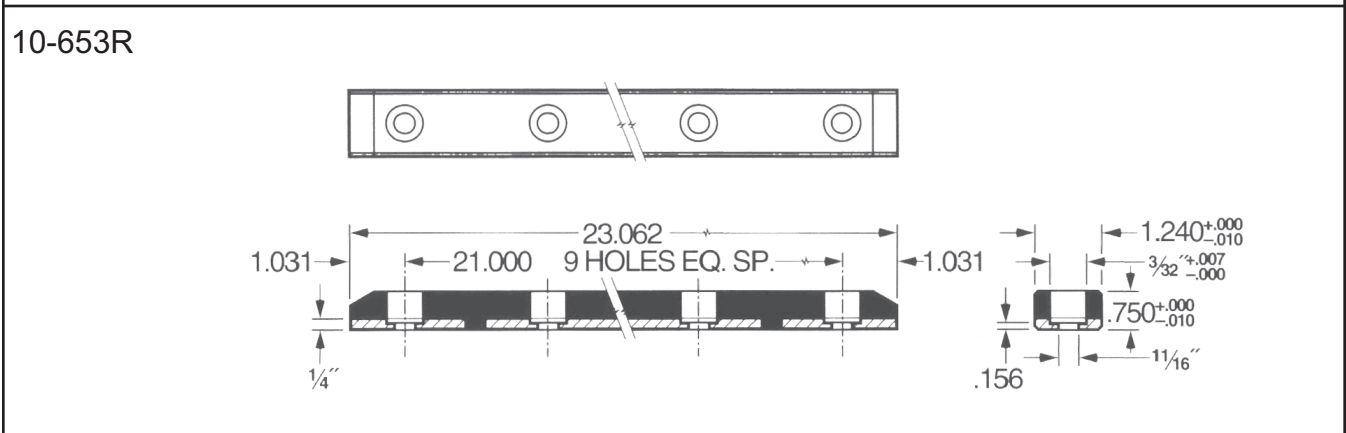
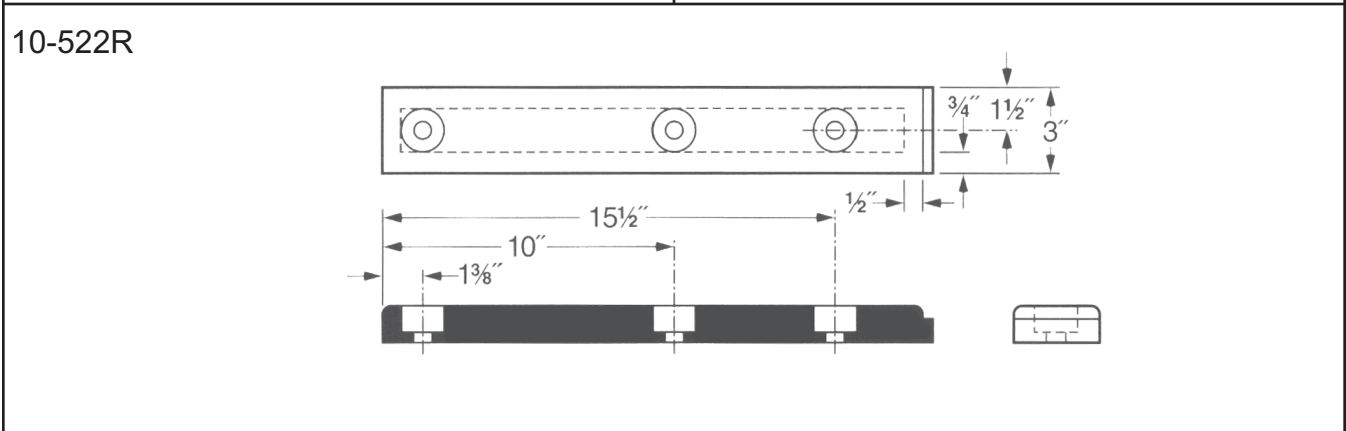
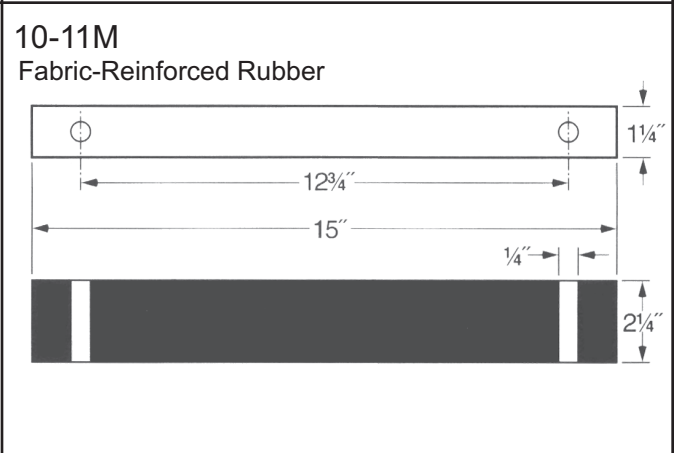
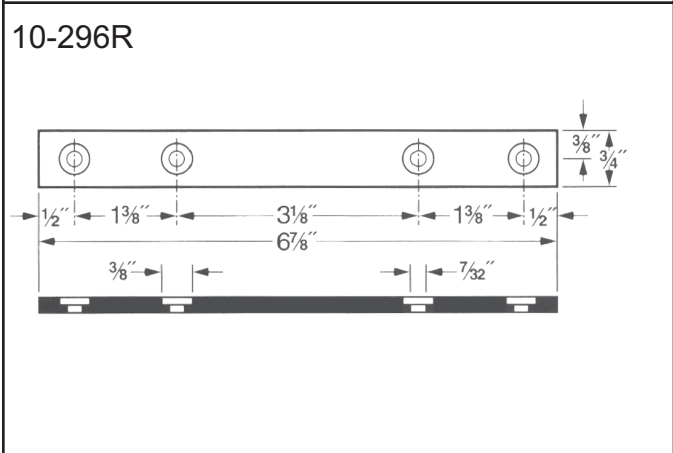
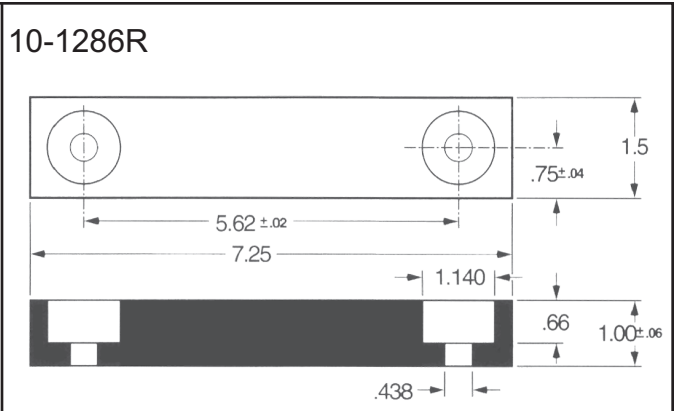
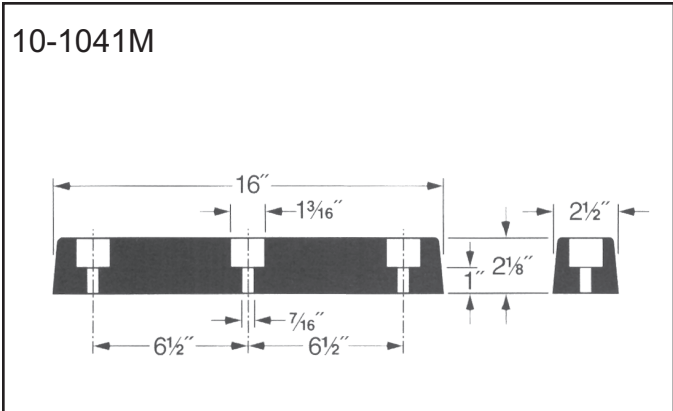
10-1308N  
80 Durometer Neoprene



**Also Available!**  
**CUSTOM-CUT BUMPERS**

Longwood can cut bumpers in neoprene or urethane with an aluminum backer. Holes can be drilled for a custom bumper to meet your specifications.

ILLUSTRATIONS BELOW NOT TO SCALE

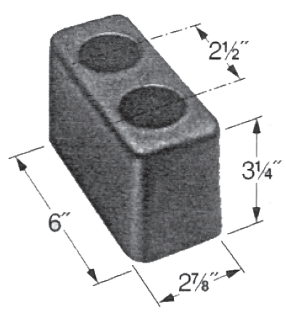


# TRAILER BUMPERS

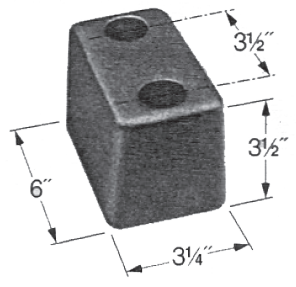


ILLUSTRATIONS BELOW NOT TO SCALE

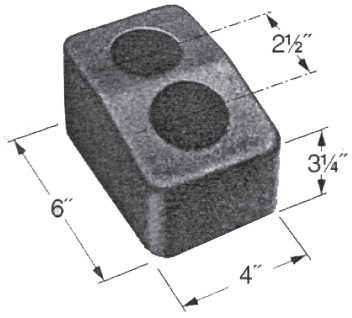
**10-1044M**  
Fabric-Reinforced Rubber



**10-20**  
Rubber



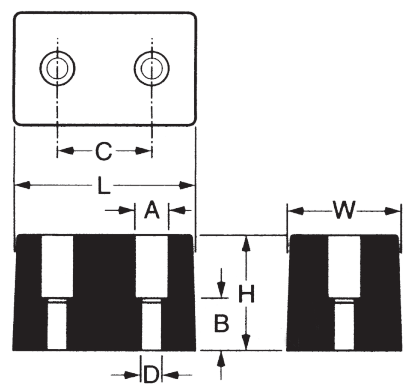
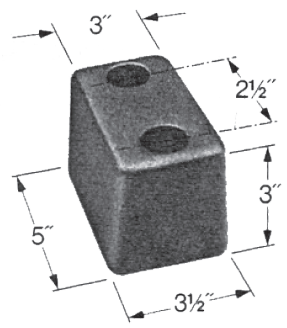
**10-1043M**  
Fabric-Reinforced Rubber



Part numbers ending with "M" are molded out of masticated rubber (cord reinforced).

1-800-829-7231 phone  
336-272-5619 fax  
[www.longwoodindustries.com](http://www.longwoodindustries.com)

**10-1046M**  
Fabric-Reinforced Rubber



**Dock Bumpers (Solid Rubber - No Fabric)**

Part #	A	B	C	D	L	W	H
10-27	1 3/16	1 3/4	3 1/2	1 1/16	5 3/4	3 3/4	4 1/2
10-44	1 3/16	1	2 5/8	1/2	6	2 3/8	3 1/4
10-45	1 7/16	7/8	3 1/2	5/8	6	2 1/2	3
10-26	1 5/8	2	3	9/16	6	3	3 1/2
10-39	1 3/16	7/8	4 1/2	7/16	7 7/8	2 1/2	2

Part numbers 10-27 and 10-39 have a steel washer.  
Part number 10-45 has a corner relieved as shown.

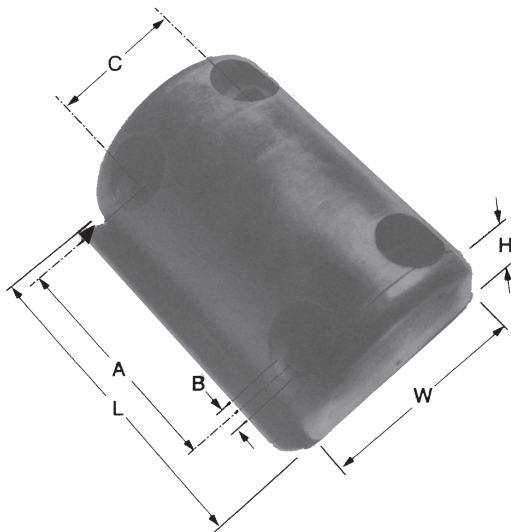
ILLUSTRATIONS BELOW NOT TO SCALE

## Multi-Application Impact Protection



Made of molded rubber, these bumpers can be attached to the ends of crane travels, on tow trucks, or on heavy construction equipment. Other trailer and crane bumpers are available in extruded EPDM solid rubber for medium and heavy duty protection.

- Tractor Trailers
- Tow Trucks
- Box Vans
- Cranes
- Garbage Trucks
- Beverage Trucks
- Wherever Impact Protection is Needed



Beverage Truck Series						
Part #	A	B	C	L	W	H
10-1045M*	5 1/2	3/4	3 1/4	8	5 1/4	3 5/8
10-1045	5 1/2	3/4	3 1/4	8	5 1/4	3 5/8
10-67	5.5	.55	3	7.6	5.5	3.6
10-715	5 3/8	9/16	3 1/8	8	6	3
10-80M*	7 1/4	1/2	4	12	6	2 3/4

\*Supplied in "M" fabric reinforced rubber.

**Note:** 10-1045 can be supplied with fabric reinforcement or solid rubber.

# DOCK BUMPERS



ILLUSTRATIONS BELOW NOT TO SCALE

Extra Large Bumpers

**FEATURES**

- Makes for a clean, neat, attractive dock area
- Molded in one piece of all new rubber compounds
- Won't warp, rust, rot or harden
- Compact size

**BENEFITS**

- Unique design and construction achieves high impact resistance and long life
- Immune to all weather conditions
- Maintenance-free
- Contains the correct amount of resiliency to absorb pressure and impact shock without damage to truck or dock

**MATERIAL THICKNESS**

- Manufactured from fiber-reinforced prime rubber containing nylon and polyester
- Comes in 8 models varying in thickness from 3" to 6"
- All Bumpers have an impact recovery (ASTM 1170) of 95% with a durometer reading of 80±5
- Tensile: 950- 1050 PSI
- All models have pre-drilled, countersunk mounting holes for easy installation, and are drilled to accept 3/4" anchor bolts

**INSTALLATION**

- Installation is easy—3/4" anchor bolts are mounted through pre-drilled holes into dock

**USES/APPLICATIONS**

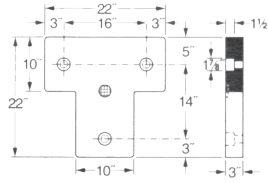
- Perfect protection for any high-traffic truck docks
- In-plant wall protection from forklifts and other material handling vehicles

**SPECIFICATIONS**

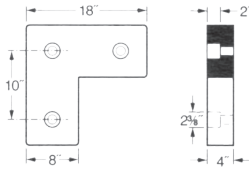
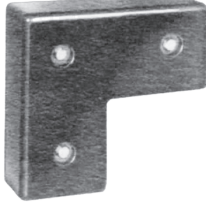
- Bumper to have a durometer reading of 80±5.0; tensile strength of 950- 1050 PSI; and an impact recover (ASTM 1170) of 95%
- Molded in one piece of all new nylon and new polyester-reinforced rubber

- T "T" shape
- L "L" shape
- R Rectangular

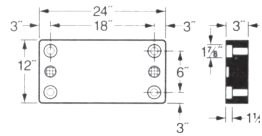
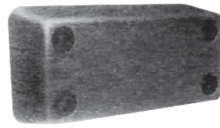
10-T2000



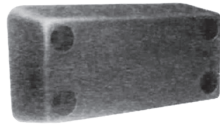
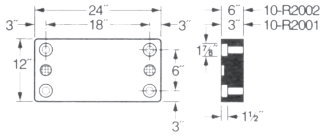
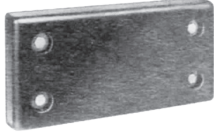
10-L2000



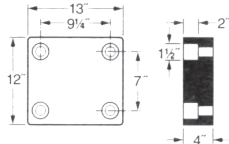
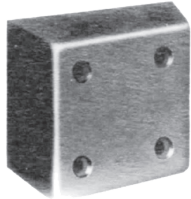
10-R2000



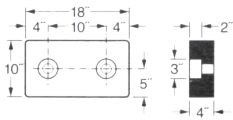
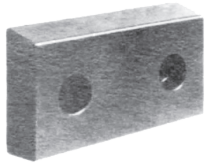
10-R2001



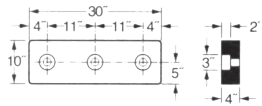
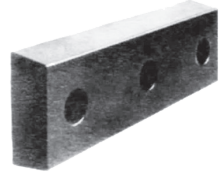
10-R2003



10-R2004



10-R2005



Dock Bumpers			
Part #	Size	Bolt Size	Lbs.
10-T2000	3 x 22 x 22	3/4 x 6	33
10-L2000	4 x 18 x 18	3/4 x 6 or 8	29
10-R2000	4 x 12 x 24	3/4 x 6 or 8	36
10-R2001	3 x 12 x 24	3/4 x 6 or 8	28
10-R2002	6 x 12 x 24	3/4 x 6 or 8	55
10-R2003	4 x 12 x 13	3/4 x 6	22
10-R2004	4 x 10 x 18	3/4 x 6 or 8	25
10-R2005	4 x 10 x 30	3/4 x 6 or 8	45

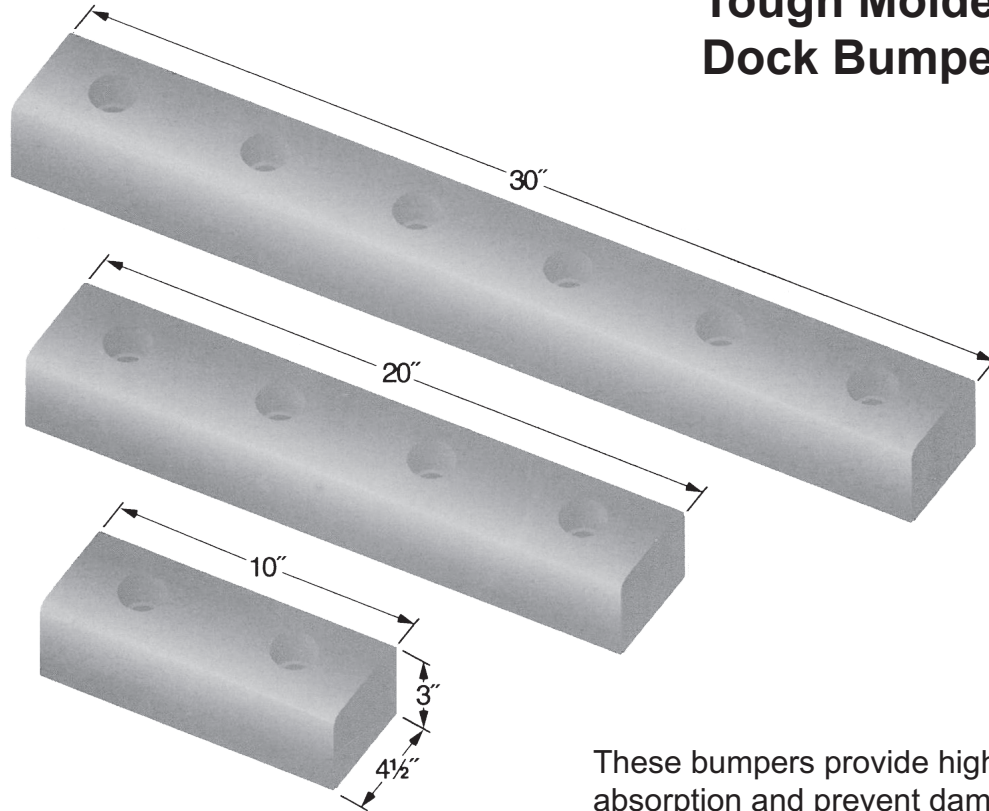
**LONGWOOD**

1-800-829-7231



ILLUSTRATIONS BELOW NOT TO SCALE

**Tough Molded Dock Bumpers**



These bumpers provide high shock absorption and prevent damage to docks and vehicles. Electro-galvanized inserts resist rust.

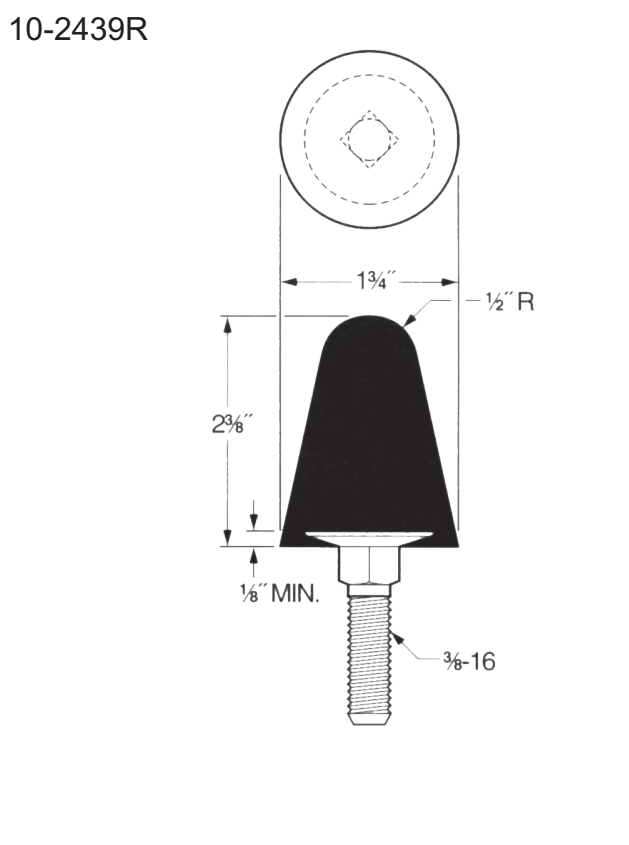
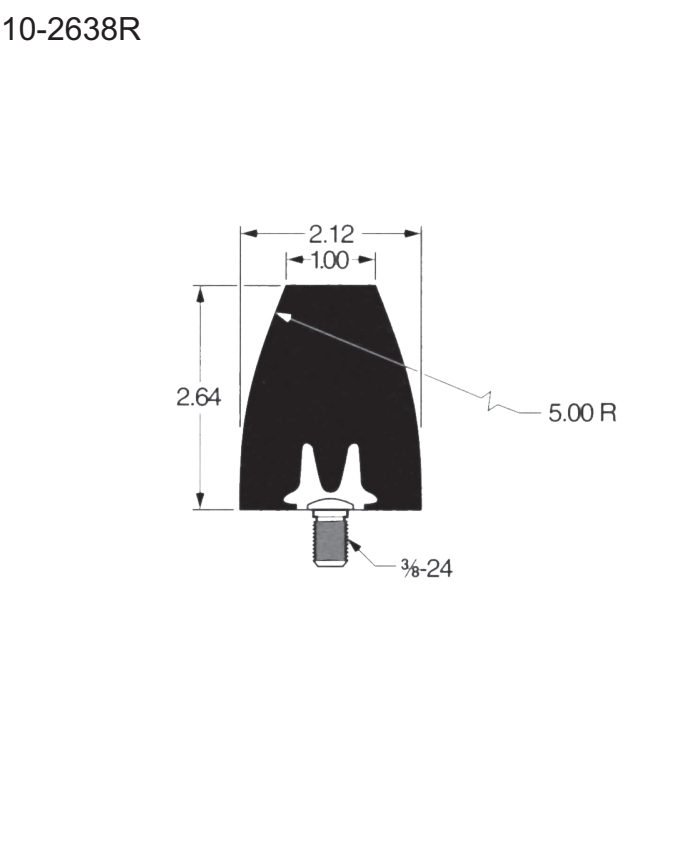
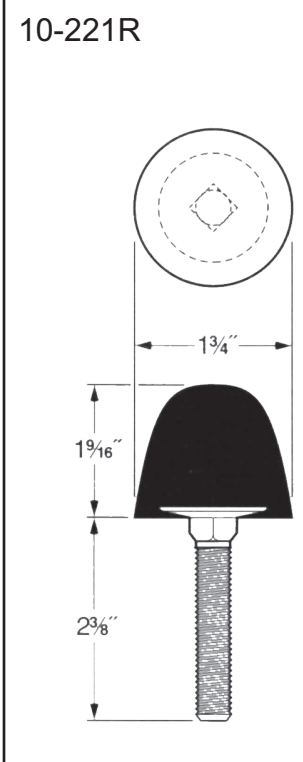
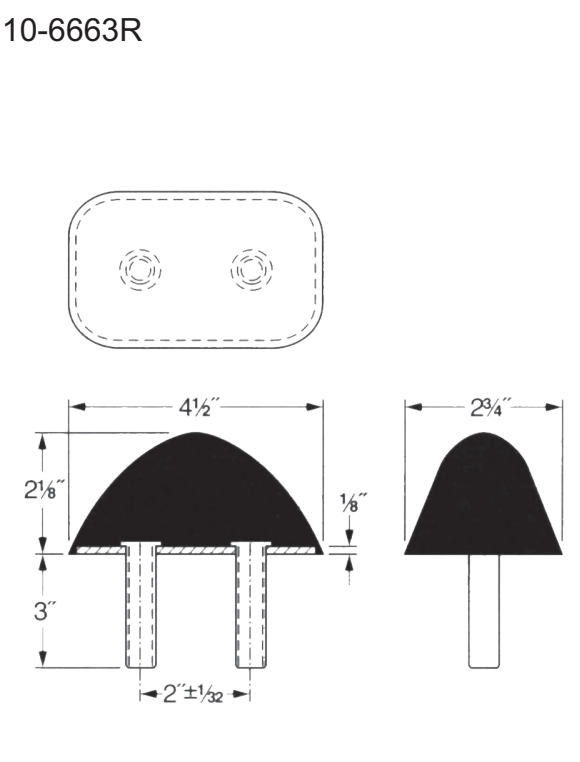
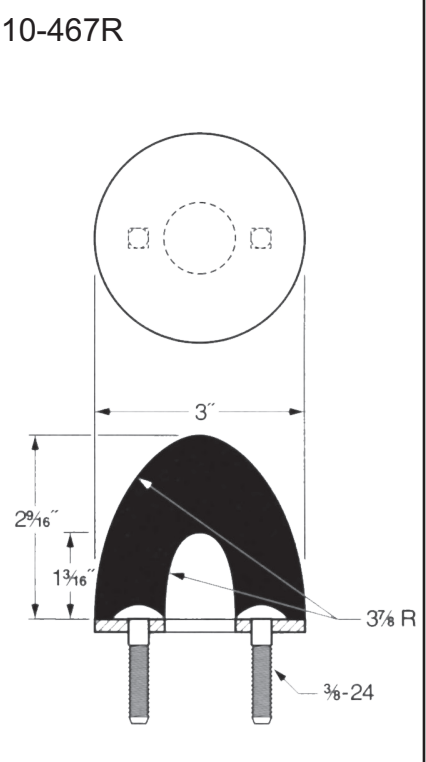
ECO Rubber Dock Bumpers			
Part #	Length	Number / Carton	Weight / Carton
10-DBE-10	10"	4	29 lbs.
10-DBE-20	20"	2	30 lbs.
10-DBE-30	30"	2	46 lbs.

**Also see EXTRUSIONS for EXTRUDED BUMPERS**

# BUMPER MOUNTS



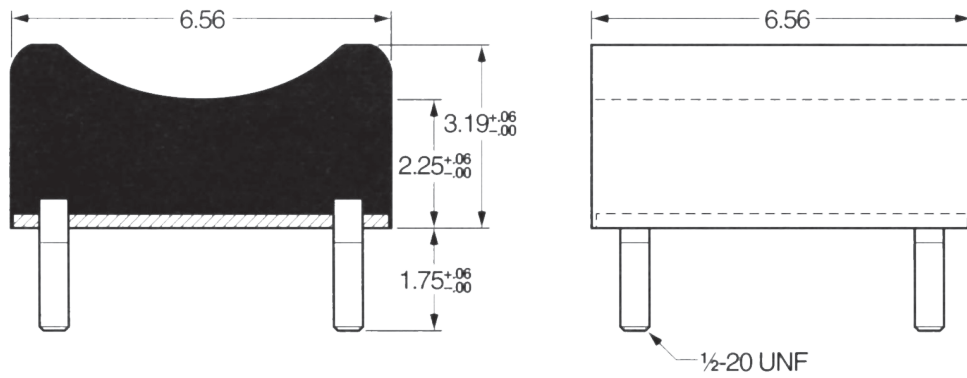
ILLUSTRATIONS BELOW NOT TO SCALE



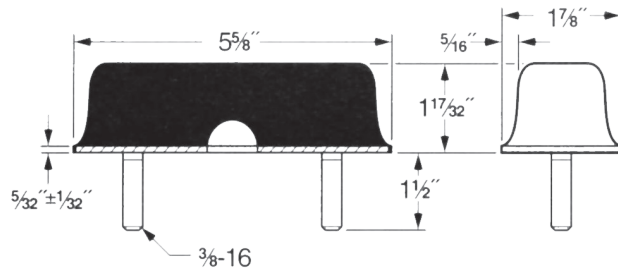
Longwood is an industry leader in rubber-to-metal bonding!

ILLUSTRATIONS BELOW NOT TO SCALE

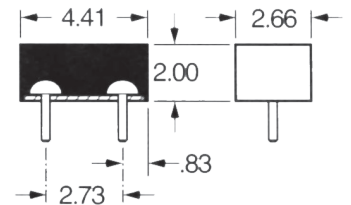
10-3603R



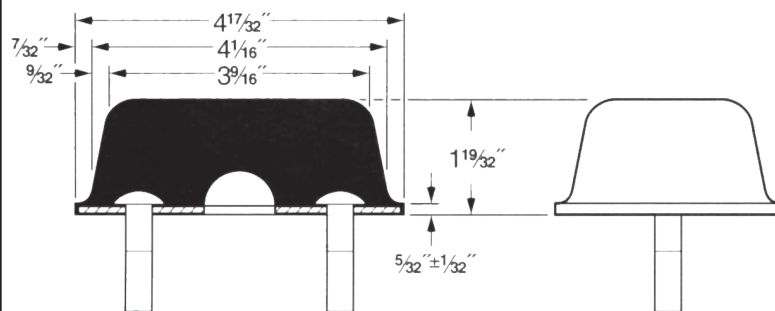
10-876R



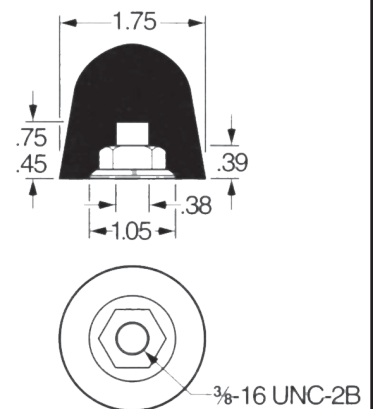
10-5673R



10-1865R



10-2928R

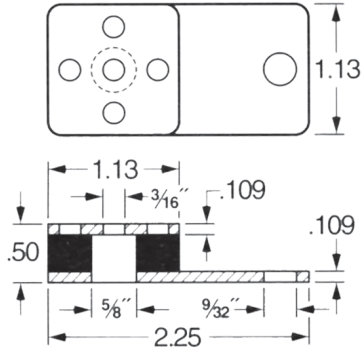


# BUMPER MOUNTS



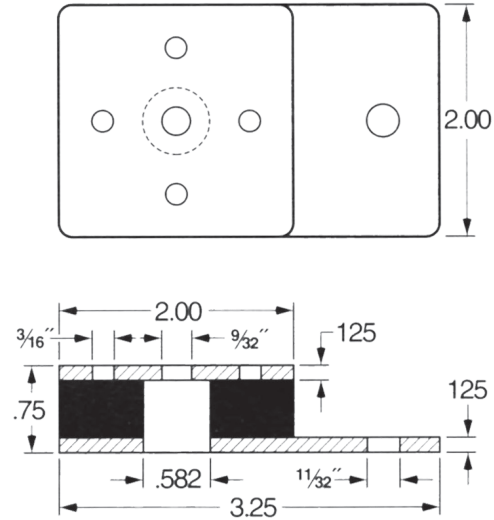
ILLUSTRATIONS BELOW NOT TO SCALE

**10-6691RS**  
Small Feet



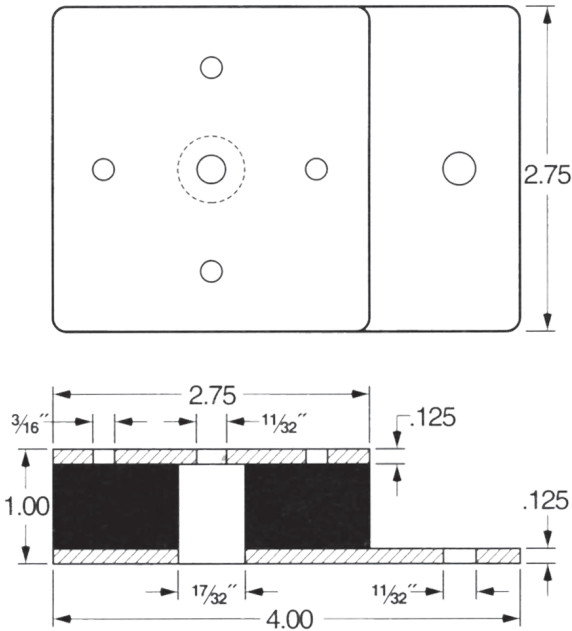
**Application:** Mounting vibrating equipment

**10-6691RM**  
Medium Feet



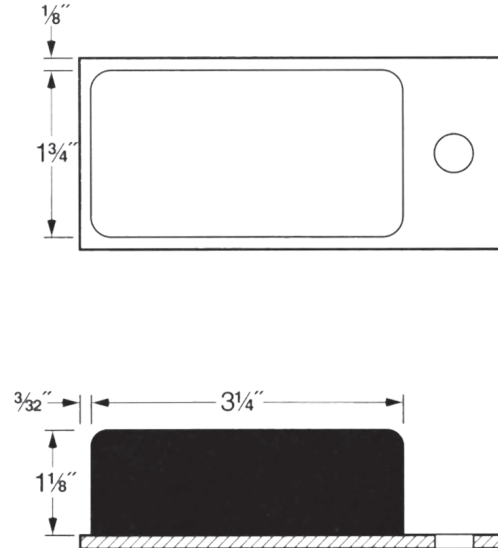
**Application:** Mounting vibrating equipment

**10-6691RL**  
Large Feet



**Application:** Mounting vibrating equipment

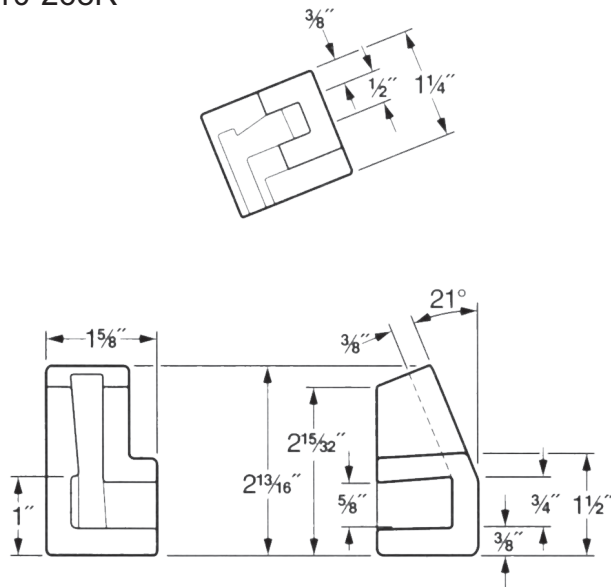
**10-6009R**  
Large Feet



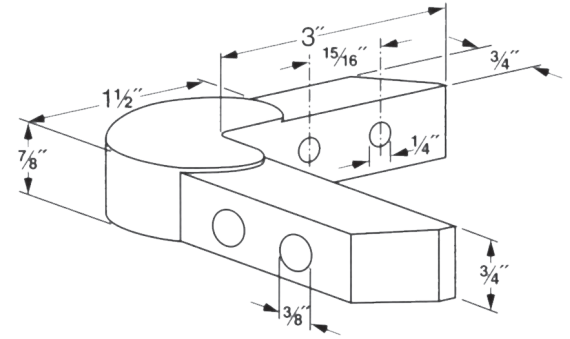
1-800-829-7231

ILLUSTRATIONS BELOW NOT TO SCALE

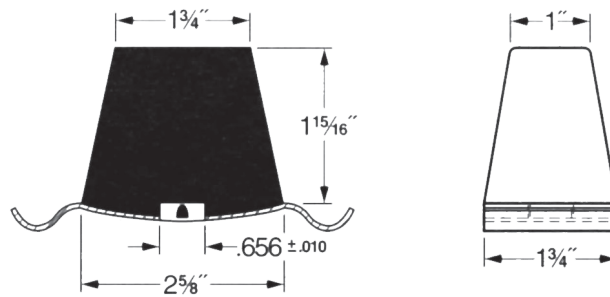
10-268R



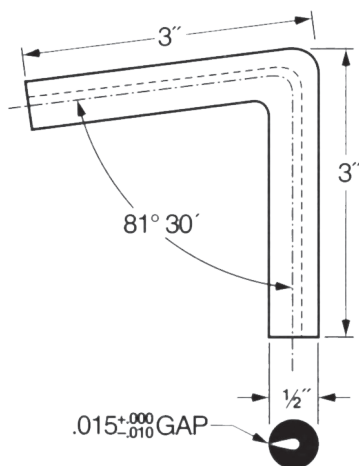
10-6000



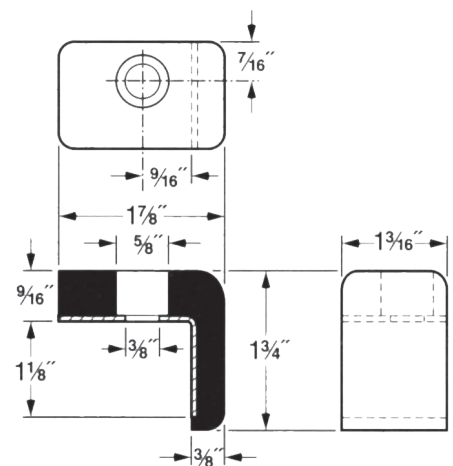
10-2450R



10-1448R



10-5700R

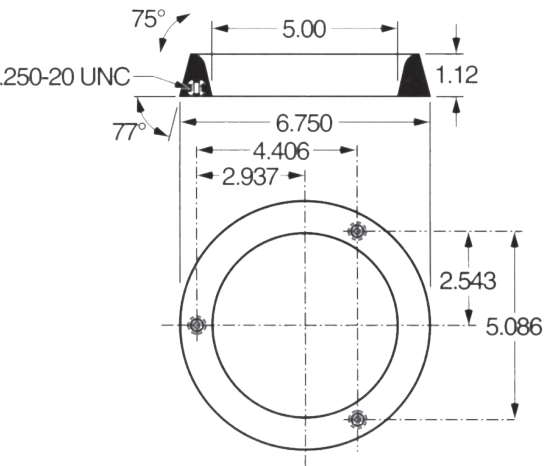


# MISCELLANEOUS BUMPERS

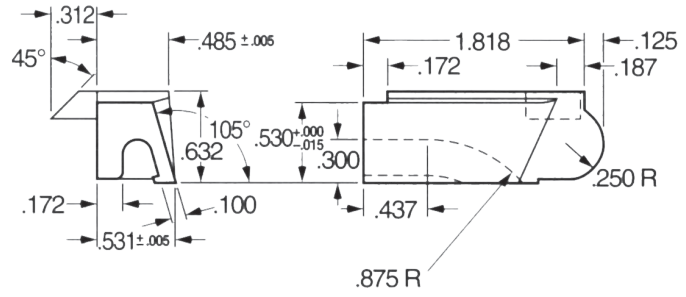


ILLUSTRATIONS BELOW NOT TO SCALE

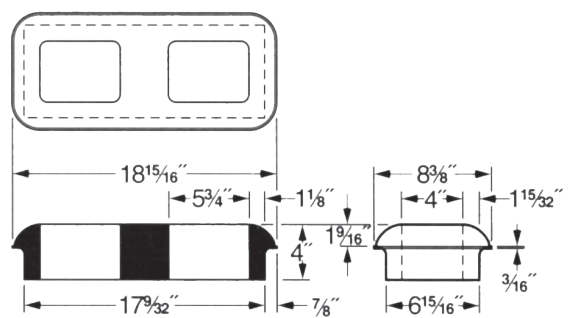
10-5403R



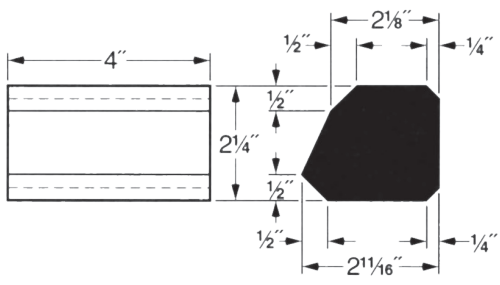
10-3453R



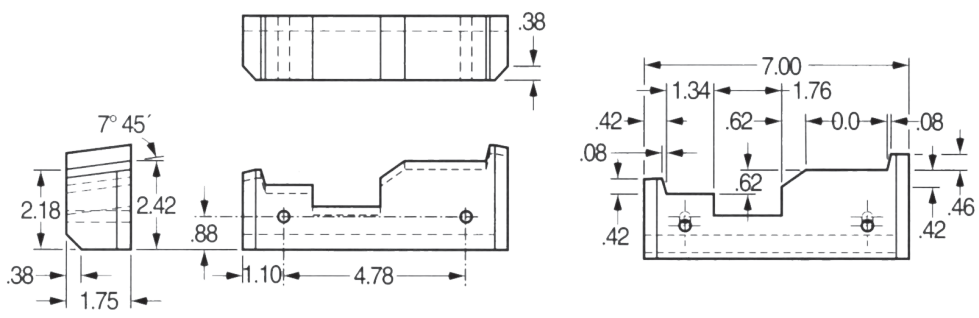
10-2184R  
Large Bumper



10-2074R



10-6045R



ILLUSTRATIONS BELOW NOT TO SCALE

<p>10-5524</p>	<p>10-5684R</p>	<p>10-1477R</p>
<p>10-5880R</p>	<p>10-16</p>	<p>10-6443R</p>
<p>10-6835R</p>	<p>10-5109R</p>	<p>10-1620R</p>

# LAMINATED BUMPERS



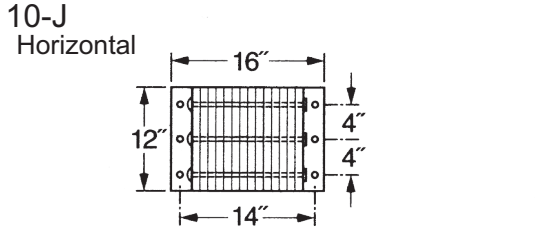
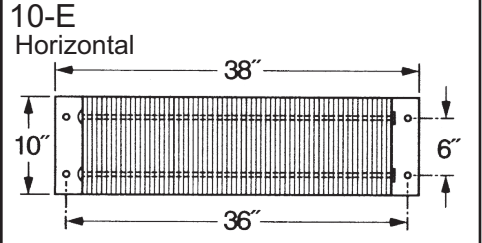
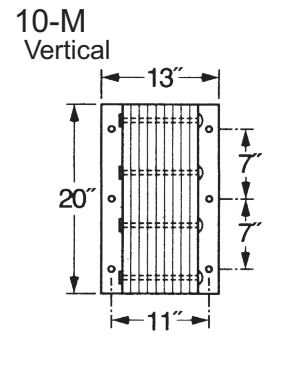
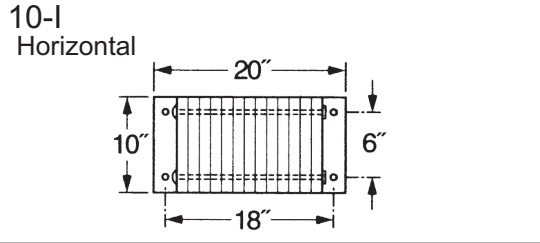
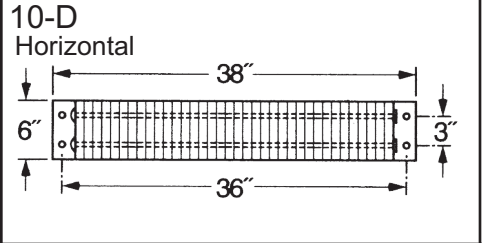
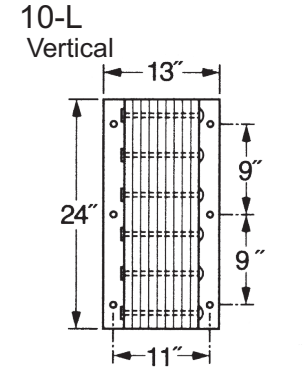
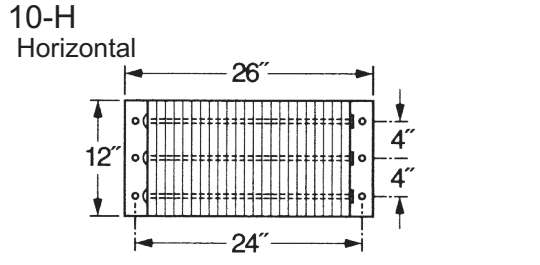
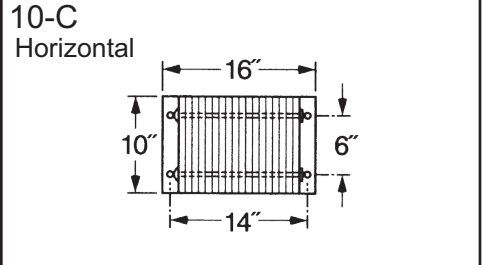
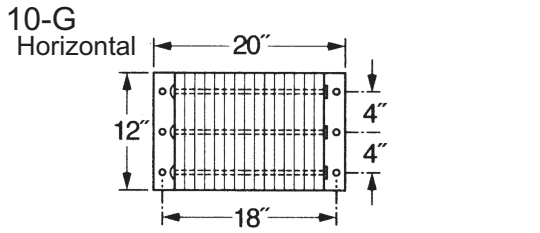
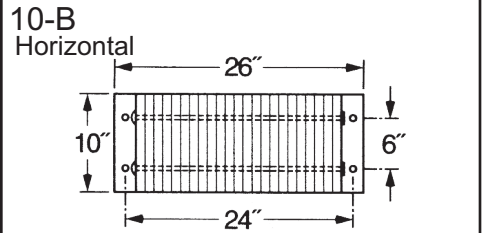
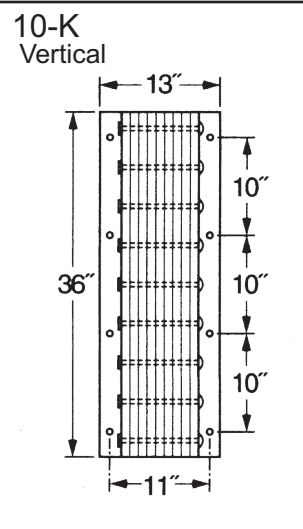
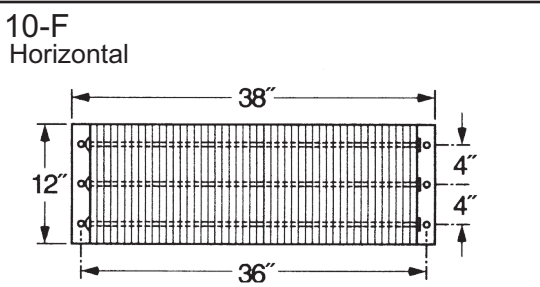
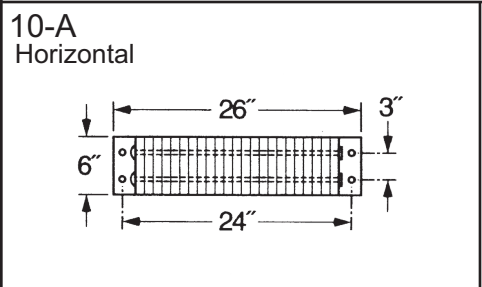
ILLUSTRATIONS BELOW NOT TO SCALE



**Longwood** laminated dock bumpers provide the maximum protection against heavy-duty truck and vehicle damage. Designed to withstand impact force, these bumpers are ideal for high-traffic commercial loading docks.

Laminated bumpers are constructed for unique "two-way" protection—tough rubberized fabric truck tire pads are assembled on a heavy-gauge steel frame. Positive anchoring through heavy 1/4" thick steel end plates provide stability and shape retention.

Various thicknesses are available from 4 1/4" to 12" in both vertical and horizontal styles. With many options for installing, laminated bumpers offer a wide range of protection to suit any dock requirement. They are long-wearing and provide many years of protection.



1-800-829-7231 phone 336-272-5619 fax